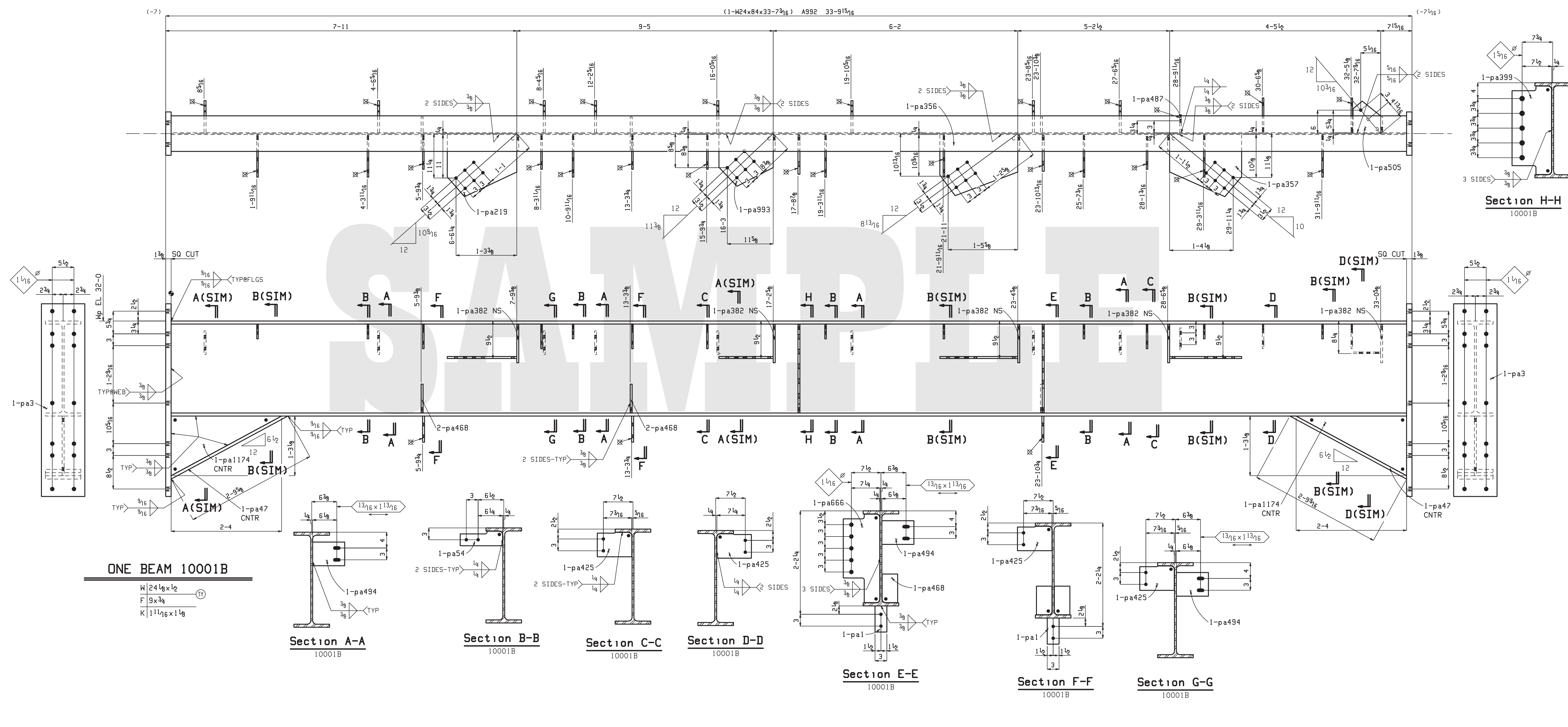


Total weight :

PLOT DATE:

PLOT TIME:

		ISSUED FOR FABRICATION
		ISSUED FOR APPROVAL
REV	DATE	DESCRIPTION



BILL OF MATERIAL											BILL OF MATERIAL											BILL OF MATERIAL											
Quantity	Quantity	Piece	Minor	Description	Length	Remarks	Weight	Labor	Steel	Rev	Quantity	Quantity	Piece	Minor	Description	Length	Remarks	Weight	Labor	Steel	Rev	Quantity	Quantity	Piece	Minor	Description	Length	Remarks	Weight	Labor	Steel	Rev	
Total	Unit	Mark	Mark				Total	Code	Grade	#	Total	Unit	Mark	Mark			Total	Code	Grade	#	Total	Unit	Mark	Mark			Total	Code	Grade	#			
ONE		10001B		BEAM			3895				5	5			pa382	PL 1/2 x 3 15/16	0 9 3/4		27		A36												
1	1		10001B	W24x84	33 7 3/16	S2E	2822		A992		5	5			pa468	PL 1/2 x 3 15/16	0 7 1/4		20		A36												
2	2		pa3	PL 1 3/8 x 11	4 0 7/8		419		A572-50		3	3			pa1	PL 1/2 x 3	0 6 5/8		8		A36												
2	2		pa47	PL 3/4 x 9	2 9 5/8		129		A572-50		1	1			pa505	PL 3/8 x 7	0 8		6		A36												
1	1		pa357	PL 1/2 x 15 3/4	1 6 1/4		41		A36		7	7			pa425	PL 3/8 x 6 3/16	0 8 3/4		40		A36												
1	1		pa219	PL 1/2 x 15 3/4	1 5 5/8		39		A36		1	1			pa487	PL 3/8 x 4 1/2	0 5 1/2		3		A36												
1	1		pa356	PL 1/2 x 15 1/2	1 7 3/4		43		A36		8	8			pa54	PL 3/8 x 3 15/16	0 10 3/4		34		A36												
2	2		pa1174	PL 1/2 x 15 1/8	2 4		120		A572-50																								
1	1		pa993	PL 1/2 x 13 1/8	1 1 3/4		26		A36																								
1	1		pa399	PL 1/2 x 10	1 10 7/16		32		A36		28																						
1	1		pa666	PL 1/2 x 9 1/4	1 10 7/16		29		A36																								
8	8		pa494	PL 1/2 x 6	0 8 1/8		55		A36																								

CUSTOMER:	DRAWN BY	CHECKED BY	SEQUENCE NO:	REFERENCE DRAWING	DATE	JOB NO.	DWG NO.	REV
PROJECT:								0