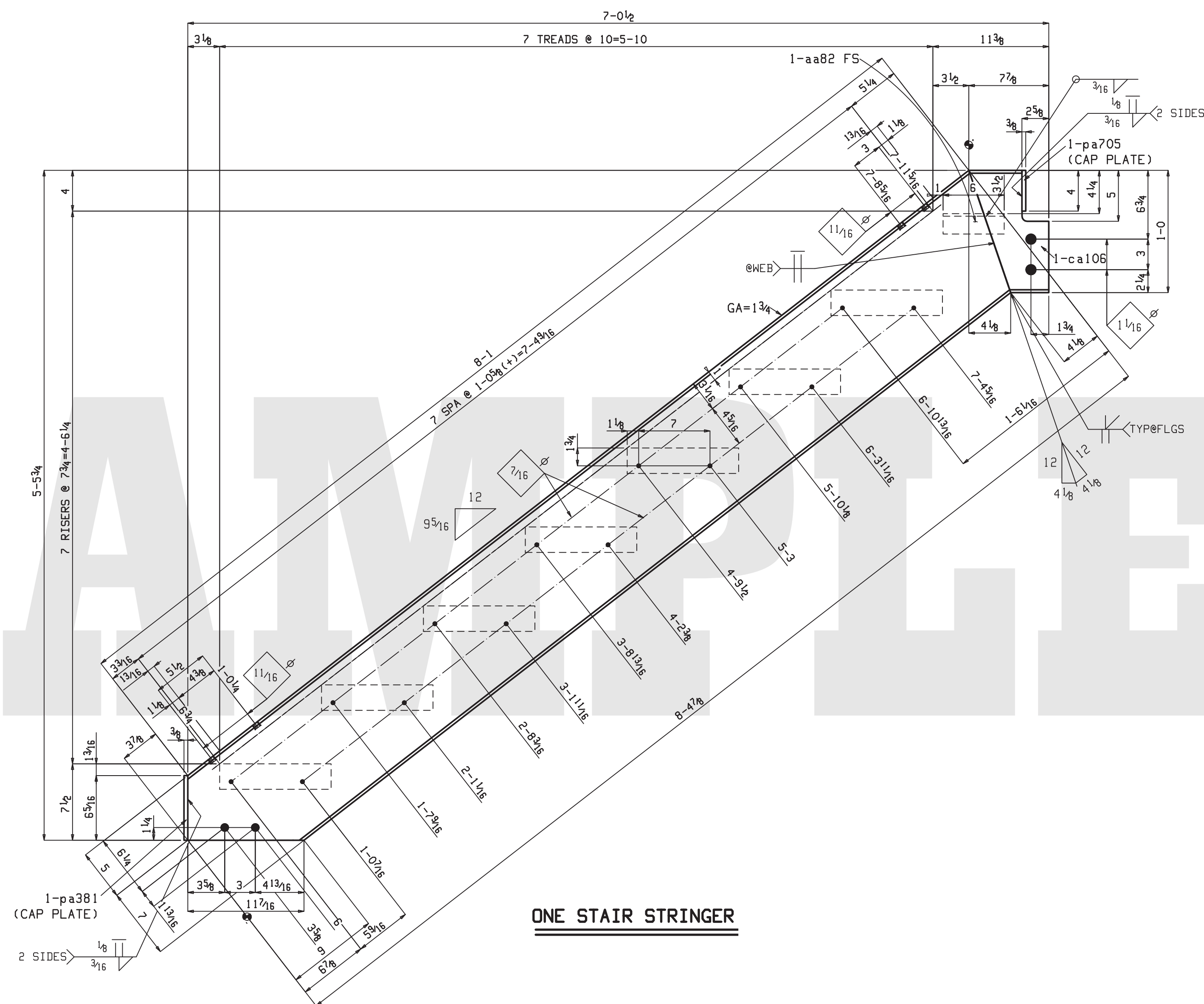


Total weight :

PLOT DATE:

PLOT TIME:



**ONE STAIR STRINGER**

COATING:

**BILL OF MATERIAL**

Quantity	Quantity	Piece	Minor	Description	Length	Remarks	Weight	Labor	Steel	Rev
Total	Unit	Mark	Mark				Total	Code	Grade	#
ONE		103885		STAIR STRINGER			192			
1	1		103885	C12x20.7	8 4 7/8		174		A36	
1	1		ca106	C12x20.7	0 7 7/8		14		A36	
1	1		aa82	L2x2x1/4	0 6		2		A36	
1	1		pa705	FL 3/8x4	0 2 15/16		1		A36	
1	1		pa381	PL 3/8x2 15/16	0 6 5/16		2		A36	
				FIELD BOLTS						
2				1 Dia A325N	0 2 1/4	+1HD WASH				
14				3/8 Dia A307	0 1 1/4	+1HD WASH				

**BILL OF MATERIAL**

Quantity	Quantity	Piece	Minor	Description	Length	Remarks	Weight	Labor	Steel	Rev
Total	Unit	Mark	Mark				Total	Code	Grade	#

**BILL OF MATERIAL**

Quantity	Quantity	Piece	Minor	Description	Length	Remarks	Weight	Labor	Steel	Rev
Total	Unit	Mark	Mark				Total	Code	Grade	#