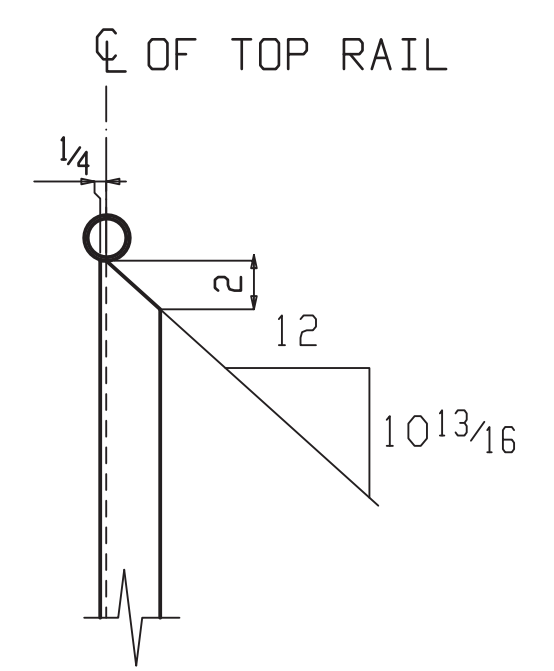
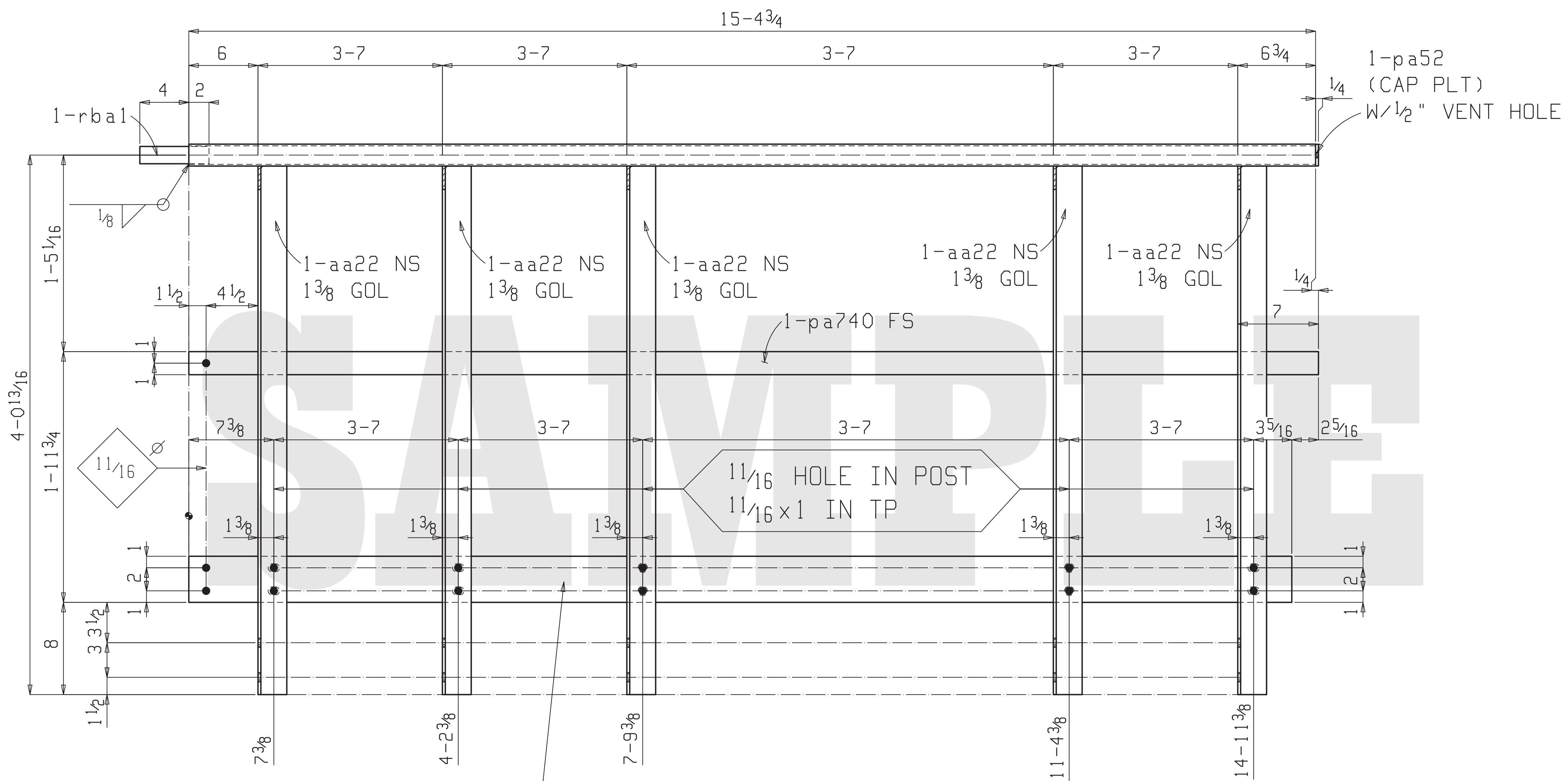


Total weight :

PLOT DATE:

PLOT TIME:

		ISSUED FOR FABRICATION
		ISSUED FOR APPROVAL
REV	DATE	DESCRIPTION



TYP. SECT @ POST TOP

ONE HANDRAIL 10421H

ONE TOEPLATE 10421TP

(ADD VENT HOLES AS REQ'D)

BILL OF MATERIAL											BILL OF MATERIAL											BILL OF MATERIAL												
Quantity	Quantity	Piece	Minor	Description	Length	Remarks	Weight	Labor	Steel	Rev	Quantity	Quantity	Piece	Minor	Description	Length	Remarks	Weight	Labor	Steel	Rev	Quantity	Quantity	Piece	Minor	Description	Length	Remarks	Weight	Labor	Steel	Rev		
Total	Unit	Mark	Mark				Total	Code	Grade	#	Total	Unit	Mark	Mark				Total	Code	Grade	#	Total	Unit	Mark	Mark				Total	Code	Grade	#		
ONE		10421H		HANDRAIL			153				ONE		10421TP		TOEPLATE			52																
1	1		10421H	PIPE 1 1/2 STD	15 4 <sup>3</sup> / <sub>4</sub>		42		A53B		1	1		10421TP	FL 1/4 x 4	15 2 <sup>11</sup> / <sub>16</sub>		52		A36														
5	5		aa22	L 2 1/2 x 2 1/2 x 1/4	3 11 <sup>7</sup> / <sub>8</sub>		82		A36																									
1	1		rbal	RB 1 1/2	0 6		3		A36																									
1	1		pa740	FL 1/4 x 2	15 5		26		A36		10				3/8 Dia A307	0 1 1/2	+1HD WASH																	
1	1		pa52	PL 1/4 x 1 7/8	0 1 7/8	ROUND	0		A36																									
				FIELD BOLTS																														
10				3/4 Dia A325N	0 13/4	+1HD WASH																												

CUSTOMER:	DRAWN BY	CHECKED BY	SEQUENCE NO:	REFERENCE DRAWING	DATE	JOB NO.	DWG NO.	REV
PROJECT:								